

### Single Coil Domestic Hot Water Cylinder

#### Features and Benefits

- Designed for heat pump applications
- Large coil to improve heat transfer
- Ease of installation
- Manufactured from Duplex stainless steel
- UK manufactured
- 25 year guarantee for the shell



#### Product Description

Kensa has partnered with a [leading cylinder manufacturer \(Advance Appliances\)](#) to design and produce an indirect hot water cylinder designed for use with heat pumps.

The cylinder has a coil specifically designed with a larger surface area to provide a better heat transfer from the heat pump into the cylinder. This improves the actual temperature reached by the domestic hot water and the time taken to reach this temperature.

The vessels are manufactured from corrosion resistant Duplex stainless steel which enables an industry leading 25 year guarantee for the shell of the cylinder.

The cylinder is designed using the heat pump as the sole heat source and will provide at least 50°C domestic hot water from the cylinder.

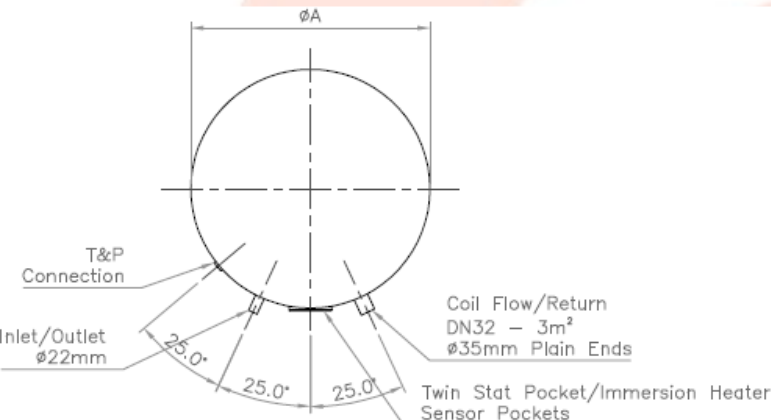
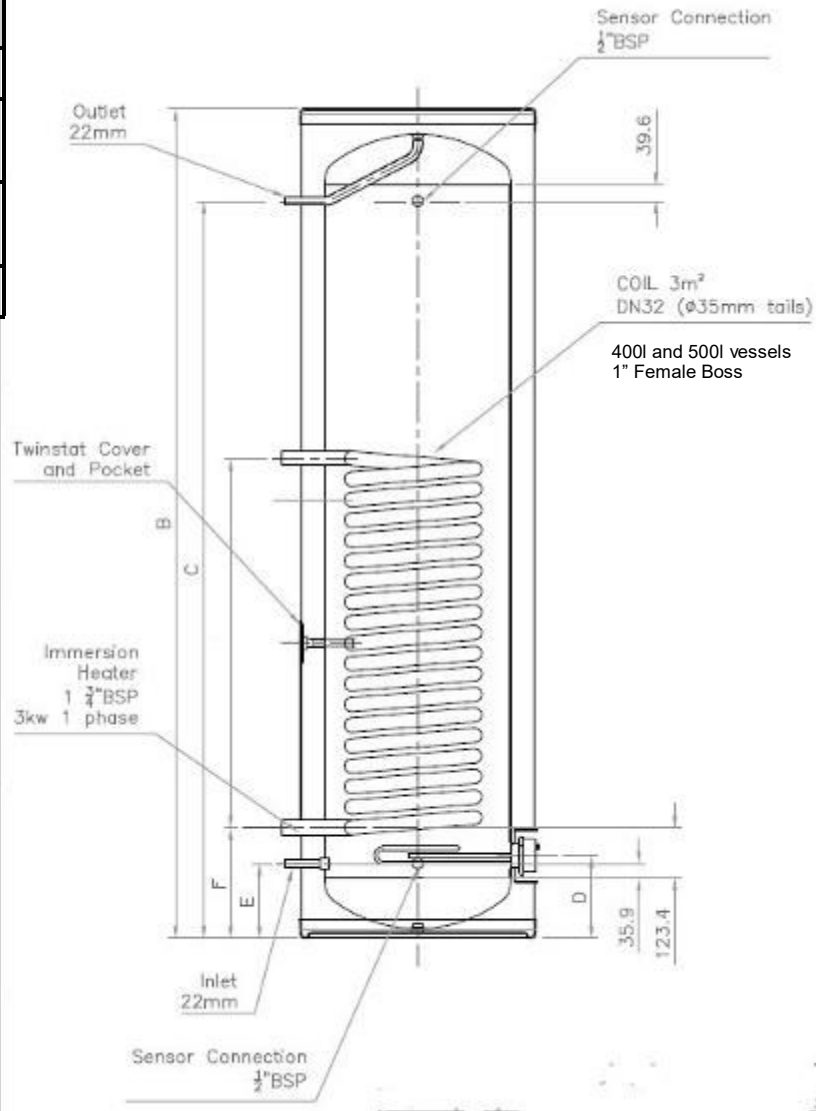
The units meet current Building Regulations, are manufactured in the UK and guaranteed for 25 years (components 2 years).

Also supplied: One 3kW immersion heater and G3 kit.

### Single Coil Domestic Hot Water Cylinder (DN32 Coil)

Kensa Model No.	95-069A	95-070A	95-071A	95-072A
Volume (l)	255	305	400	500
Expansion Vessel capacity (l)	24	24	50	50
Heat Loss W/24hrs@55°C	63	69	93	99
ErP Rating	B	B	C	C

Material	Duplex Stainless Steel
Operating Pressure Tank and Coils	3 Bar—95°C
P & T Valve Rating	7 Bar—90°C
Pressure Reducing Valve	Max Pressure 12 Bar/ Control Pressure 3 Bar
Safety Relief Valve	6 Bar
Expansion Vessel Charge	3 Bar
Expansion Relief Valve	6 Bar
Flexible Hose for Expansion Vessel	Supplied Loose
Bracket for Expansion Vessel	Supplied Loose
Immersion Heater	13/4—240V-3kW
Tundish	1/2" x 22mm



	A	B	C	D	E	F	G	Coil Size	Weight Full (kg)
255 (3m <sup>2</sup> )	575	1750	1527	202	182	270	900	DN32	315
305 (3m <sup>2</sup> )	575	2023	1800	202	182	270	900	DN32	365
400 (3m <sup>2</sup> )	580	2190	1830	300	200	375	1080	DN32	485
500 (3m <sup>2</sup> )	750	1999	1740	330	250	440	1080	DN32	605

All Dimensions are nominal and in mm

# Technical (TIS)

TI-Single Coil Cylinder —9

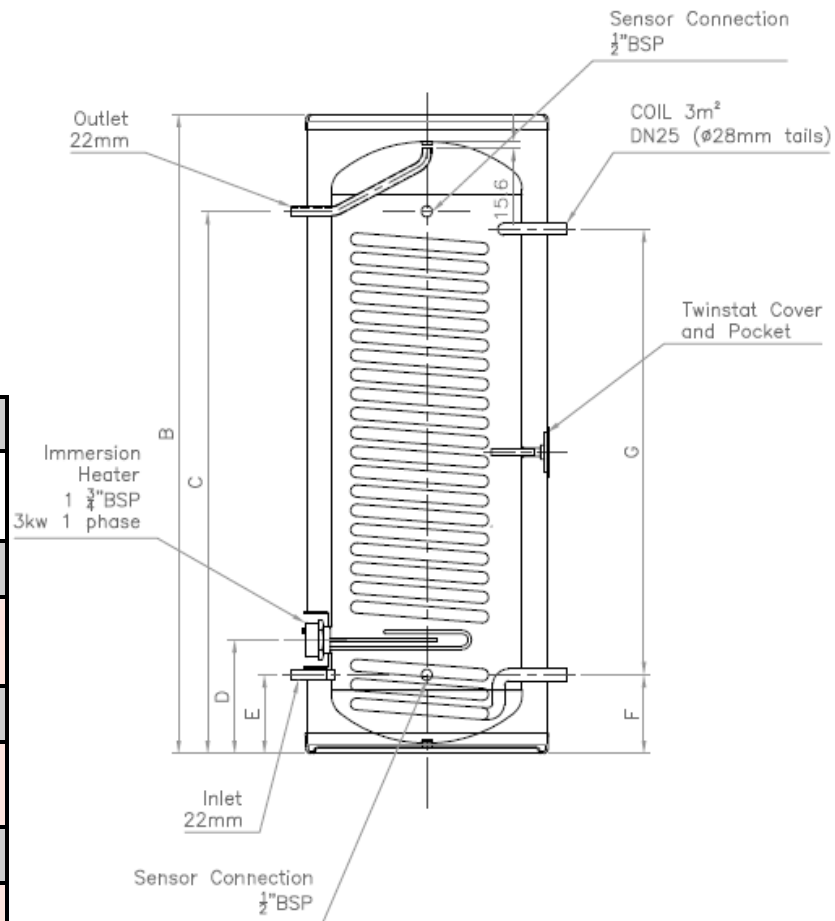
Page(s)



## Single Coil Domestic Hot Water Cylinder (DN25 Coil)

Kensa Model No.	95-060A	95-061A	95-062A	95-063A
Volume (l)	150	215	255	305
Expansion Vessel capacity (l)	12	18	24	24
Heat Loss W/24hrs@55°C	40	58	63	69
ErP Rating	B	B	B	B

Material	Duplex Stainless Steel
Operating Pressure Tank and Coils	3 Bar—95°C
P & T Valve Rating	7 Bar—90°C
Pressure Reducing Valve	Max Pressure 12 Bar/ Control Pressure 3 Bar
Safety Relief Valve	6 Bar
Expansion Vessel Charge	3 Bar
Expansion Relief Valve	6 Bar
Flexible Hose for Expansion Vessel	Supplied Loose
Bracket for Expansion Vessel	Supplied Loose
Immersion Heater	13/4—240V-3kW
Tundish	1/2" x 22mm



	A	B	C	D	E	F	G	Coil Size	Weight Full (kg)
150 (2m <sup>2</sup> )	575	1083	860	264	182	182	675	DN25	195
215 (3m <sup>2</sup> )	575	1485	1259	264	182	182	1035	DN25	270
255 (3m <sup>2</sup> )	575	1750	1527	202	182	272	1035	DN25	310
305 (3m <sup>2</sup> )	575	2023	1800	202	182	272	1035	DN25	370

All Dimensions are nominal and in mm

