



## Underground Manifold Chambers

### Features and Benefits

- Designed for heat pump applications
- Ease of installation
- Water resistant
- Removable lid
- DC3 driveway rated (35kN)
- DC4 and DC5 pedestrian rated (A15)
- Flow measurement / control option
- Fill / bleed ports
- Frost protection



### Product Description

The [underground manifold chambers](#) are pre-fabricated and designed specifically for use with ground source heat pump installations.

They provide security and a central position to connect the heat pump's [ground array](#) pipes together.

Manufactured from tough, resistant polyethylene they are available in a range of sizes and with differing numbers of inlets and outlets with control valves, flow meters and fill and bleed ports.



DC3 Manifold



DC4 Manifold

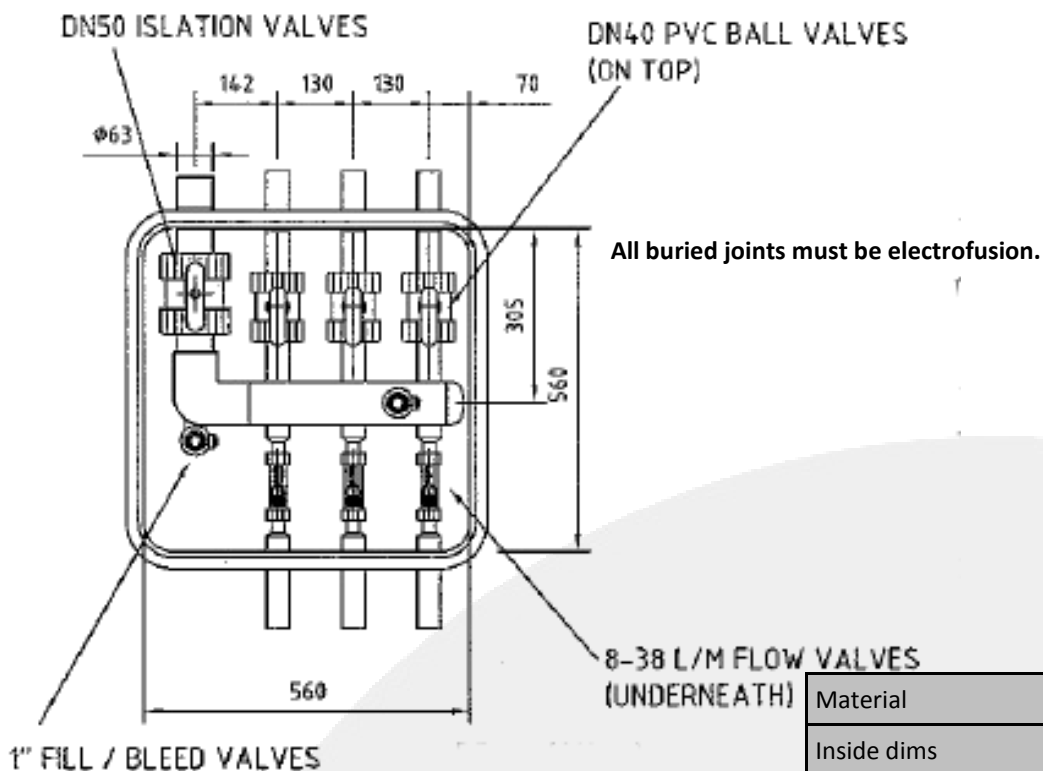


DC5 Manifold

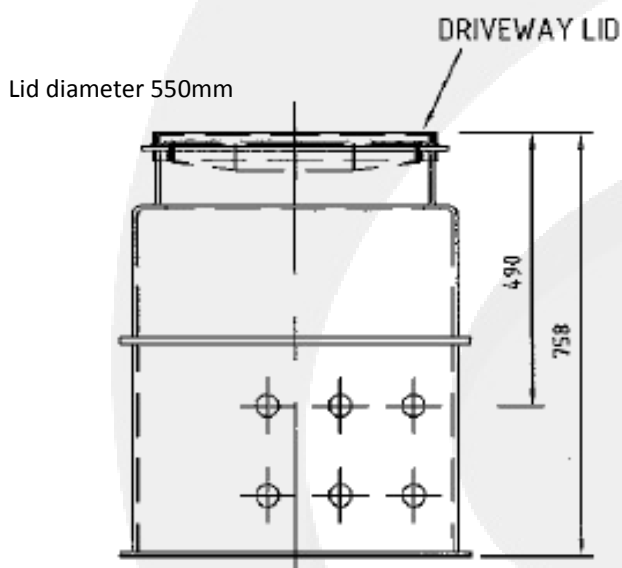


### Underground Manifold Chambers

#### DC3 Manifold Chamber



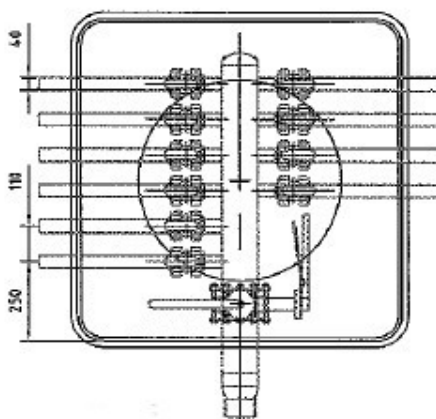
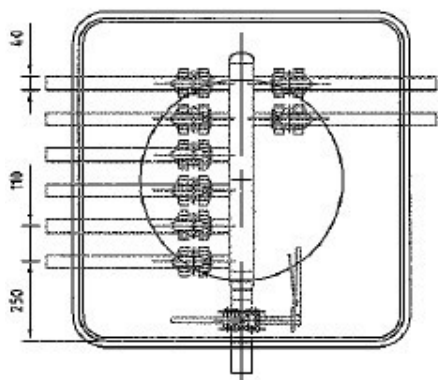
Supplied with the correct number of 40-32mm electrofusion reducers.



Material	Polyethylene (PE100)
Inside dims	560mm x 560mm
Height (dependant on inlet/outlets)	740mm
Depth to first inlet (frost protection)	Approx 480mm
Depth to first inlet (spade protection)	480mm
Number of inlets & outlets	2,3,4,5,6
Diameter of inlets	40mm supplied with 40mm / 32mm Electrofusion reducers.
Diameter of outlets	63mm Stubs supplied with 2 x 50mm isolation valves
Manifold orientation	Horizontal
Weight (dependant on height)	40kG
Internal Isolation valves	2 on heat pump connection

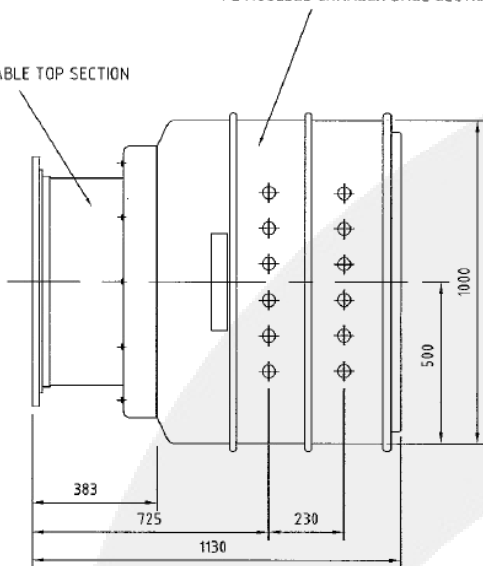
### Underground Manifold Chambers

#### DC4 Manifold Chamber



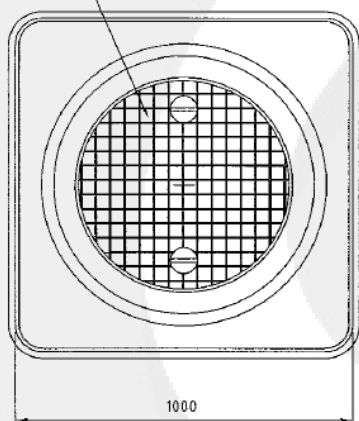
PE MOULDED CHAMBER BASE SECTION

PE MOULDED REMOVABLE TOP SECTION



PEDESTRIAN RATED LID (200 KG)

Lid diameter 630mm



Material	Polyethylene (PE100)
Inside dims	1000mm x 1000mm
Height (dependant on inlet/outlets)	1130mm
Depth to first inlet (frost protection)	Approx 725mm
Depth to first inlet (spade protection)	Approx 725mm
Number of inlets & outlets	7 up to 12 way
Diameter of inlets	40mm supplied with 40mm / 32mm Electrofusion reducers.
Diameter of outlets	63mm Stubs (7 and 8 way) 110mm Stubs (9–10 way)
Manifold orientation	Horizontal
Weight (dependant on height)	N/A
Internal Isolation valves	2 on heat pump connection

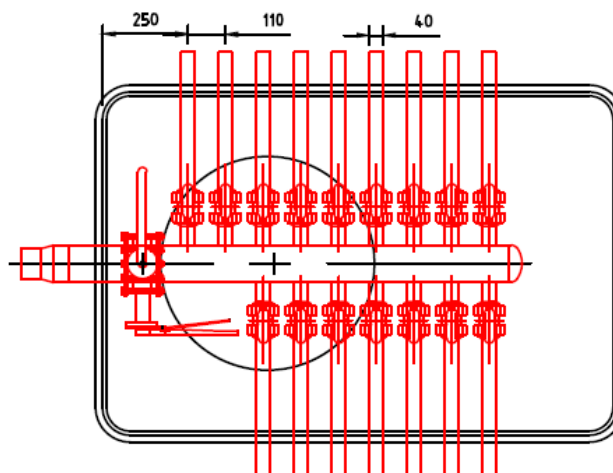
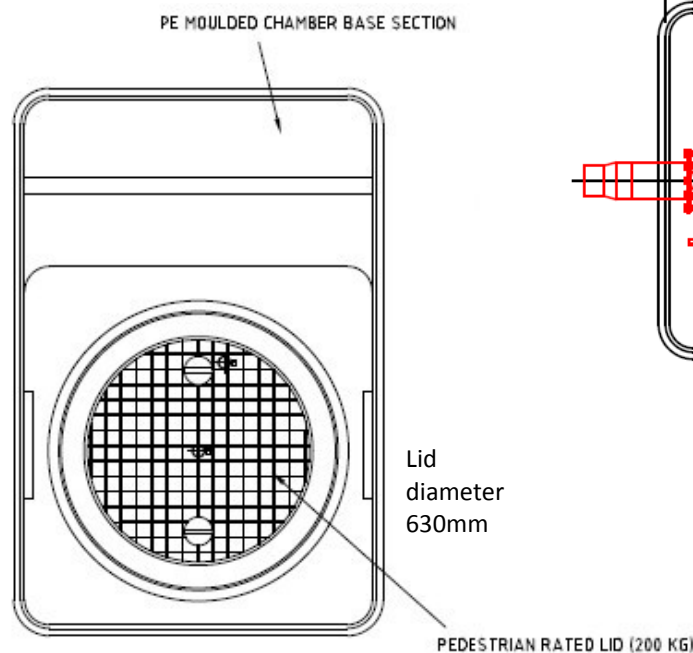
**All buried joints must be electrofusion .**

Supplied with the correct number of 40-32mm electrofusion reducers.



## Underground Manifold Chambers

### DC5 Manifold Chamber



Material	Polyethylene (PE100)
Inside dims	1000mm x 1500mm
Height (dependant on inlet/outlets)	1130mm
Depth to first inlet (frost protection)	Approx 725mm
Depth to first inlet (spade protection)	Approx 725mm
Number of inlets & outlets	12 way
Diameter of inlets	40mm supplied with 40mm / 32mm Electrofusion reducers.
Diameter of outlets	110mm Stubs (12 way)
Manifold orientation	Horizontal
Weight (dependant on height)	N/A
Internal Isolation valves	2 on heat pump connection

**All buried joints must be electrofusion .**

Supplied with the correct number of 40-32mm electrofusion reducers.

