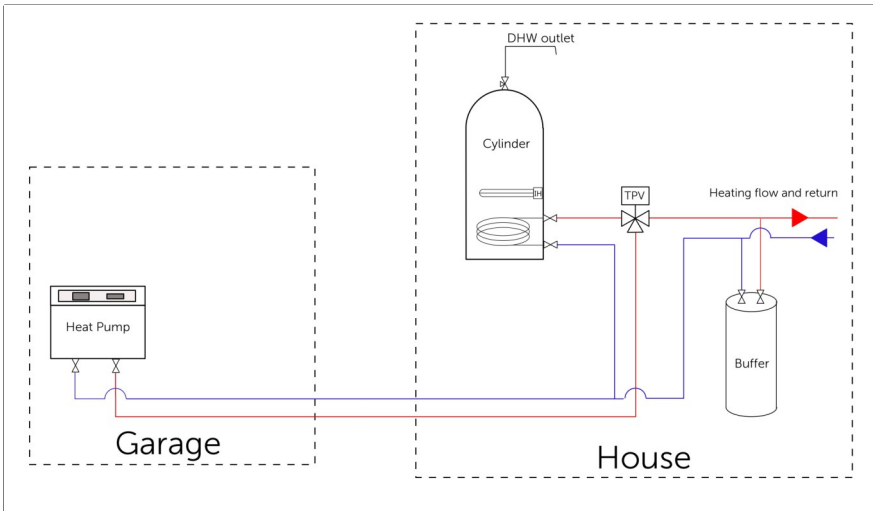


Hydraulic layouts for locating buffer/cylinder in outbuildings

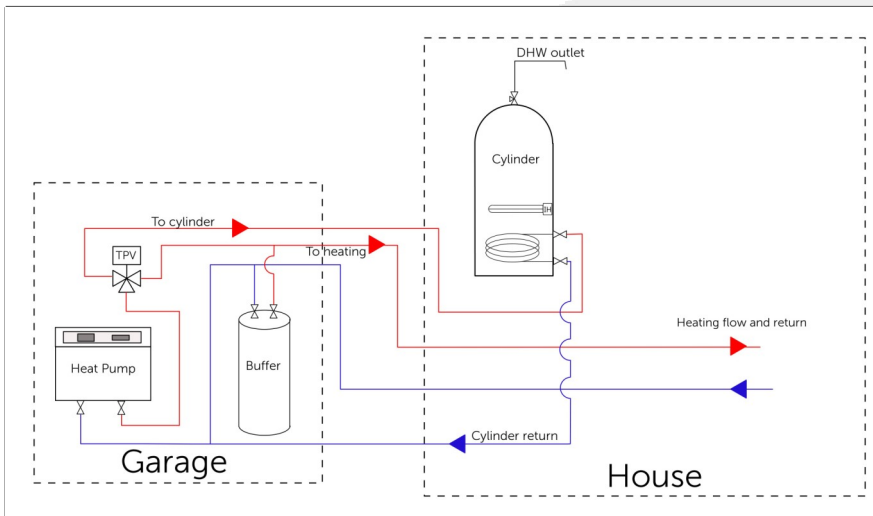
Design suggestions only—some fittings not shown for clarity



Heat pump in outbuilding Buffer and DHW cylinder in house

Two pipes between buildings

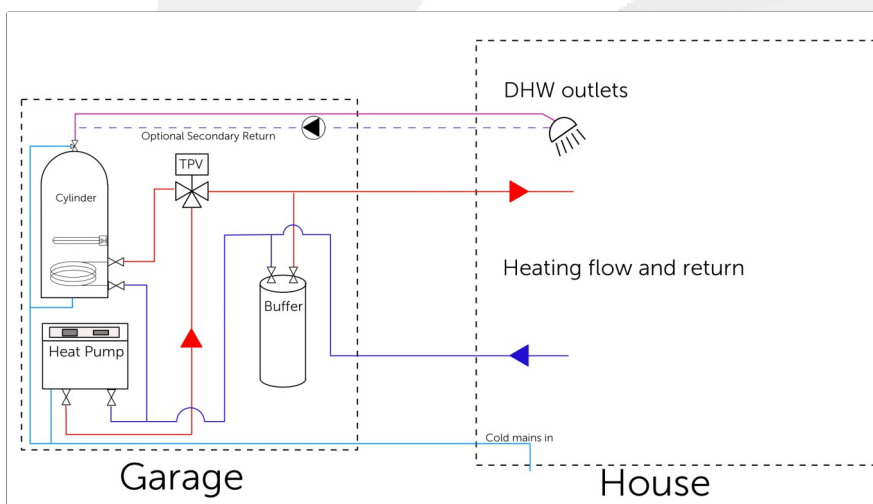
Use pre-insulated pipe, or ensure pipework is properly insulated.



Heat pump and buffer vessel in outbuilding, cylinder in house

Four pipes between buildings, again insulate all pipes.

Do not tee the cylinder return into the heating return until after the buffer vessel connection.



Heat pump, buffer vessel and cylinder in outbuilding

Three pipes between buildings, four if a secondary return is used. Potentially five depending on where cold feed for cylinder originates.

Again insulate all pipework.